

## Installing the Ribbon Cartridge (From AMT/Datasouth Users Guide, pps 1-13 to 1-19, Copyright 1989 Datasouth Corporation)

To prolong ribbon life, the printer is shipped without the cartridge installed. The following procedure is written for both initial installation and ribbon replacement.

1. Press the On/Off Line key to display "off line" status.
2. Open top access cover and lift roller assembly on models so equipped.

### NOTE

**If paper is loaded, press PARK key to park the form in the tractors.**

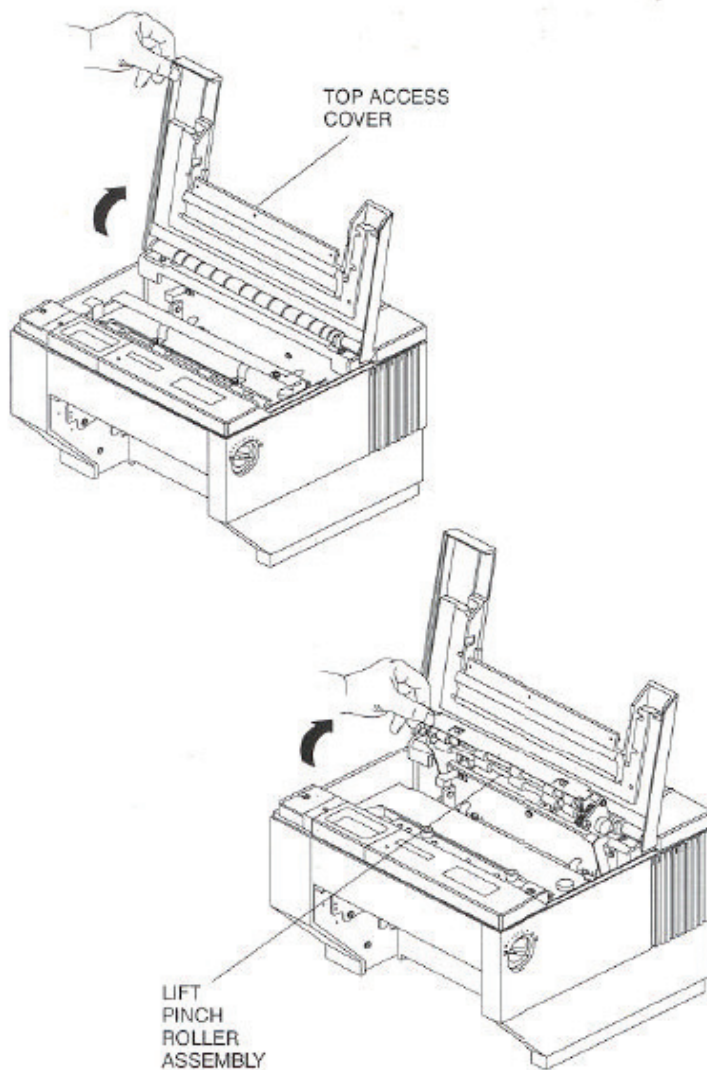


Figure 1-5: Open Access Cover (Both Options)

3. Check the Form Thickness Adjustment Knob to be sure that it is in the first position as shown in Figure 1-6.

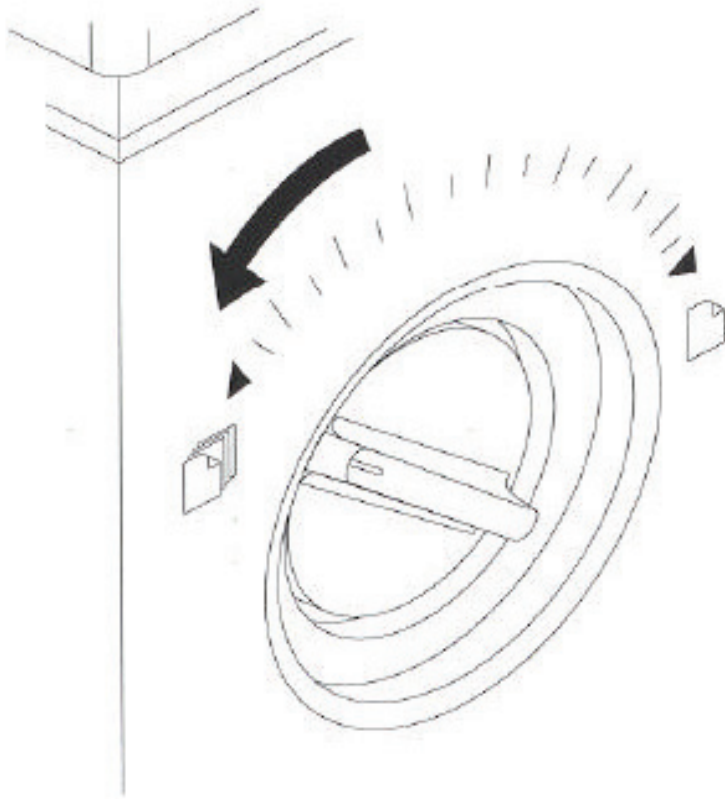


Figure 1-6: Form Thickness Adjustment Knob

**NOTE**

**If replacing the ribbon, the Form Thickness Adjustment Knob will automatically move away from the form when the paper is parked in the tractors.**

4. Remove the ribbon guide from printhead (lift up and rotate towards front).
5. Remove ribbon cartridge from printer.

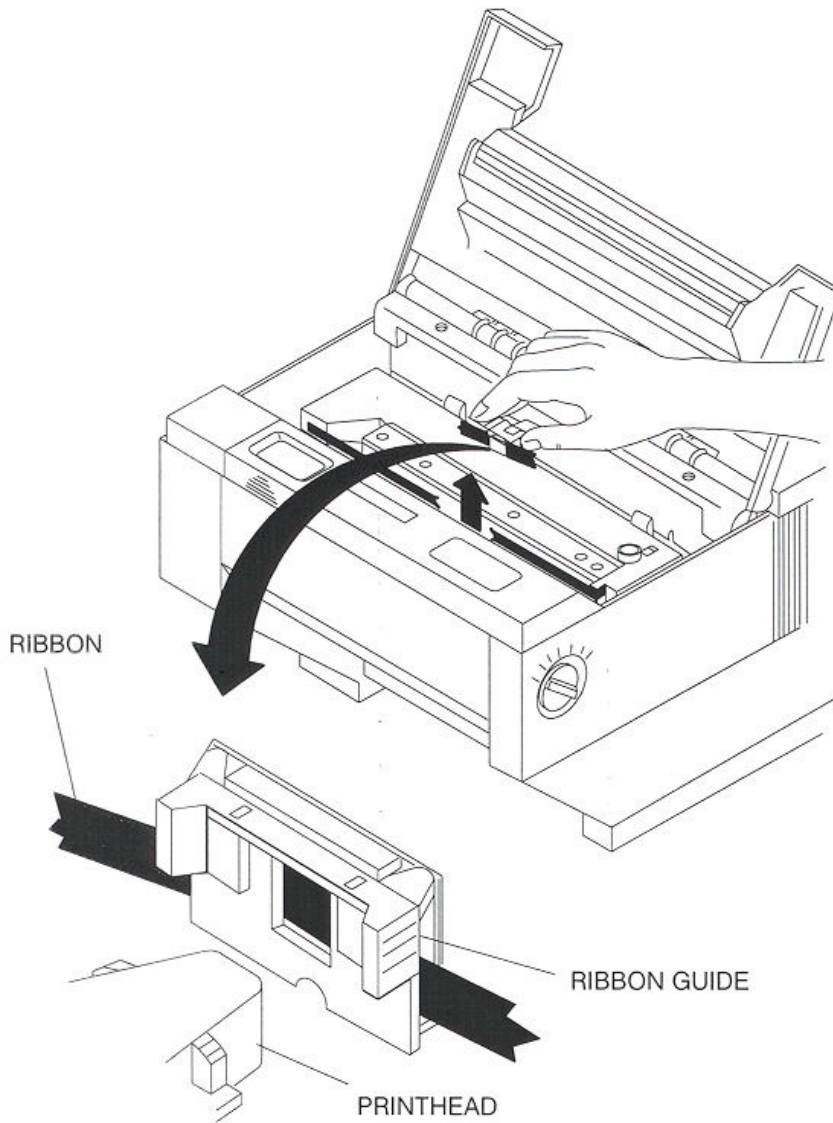


Figure 1-7: Remove Ribbon Guide

6. Move the printhead to the center of the printer.

**NOTE**

**Steps 4 and 5 are not required for initial ribbon installation.**

7. Tighten ribbon.
8. Snap on ribbon guide.
9. Remove slack from ribbon.

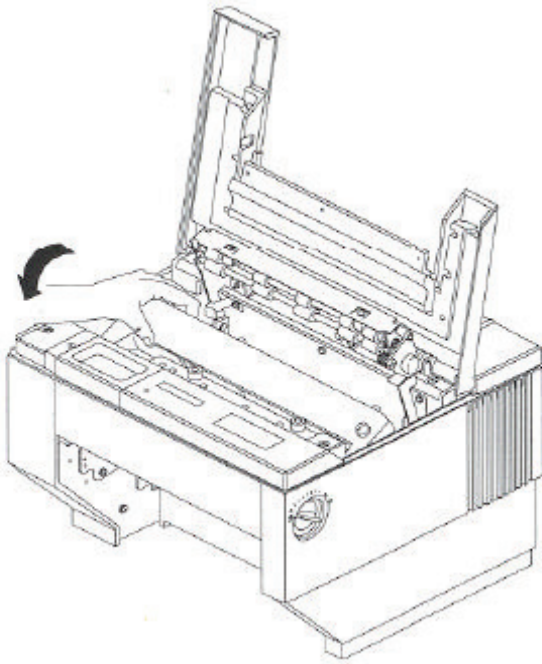


Figure 1-8: Position Ribbon Cartridge In Printer

**WARNING**  
**PRINTHEAD GETS HOT DURING USE.**  
**USE CAUTION WHEN HANDLING THE**  
**PRINTHEAD.**

10. Lower ribbon cartridge towards slots in printer. Ensure that ribbon loop is in front of platen and that ribbon is not twisted.
11. Drop the ribbon cartridge into the ribbon alignment slots.
12. If the ribbon cartridge does not seat squarely on the ribbon drive, rotate the Ribbon Advance Knob in the direction indicated by the arrow on the knob until the cartridge drops into place on the ribbon drive. See Figure 1-9.
13. With ribbon guide tilted to front of printer, place the guide on printhead nose. Push down on ribbon guide until it snaps into place.
14. Remove any slack from the ribbon by turning the Ribbon Advance Knob in the direction of the arrow marked on the knob.

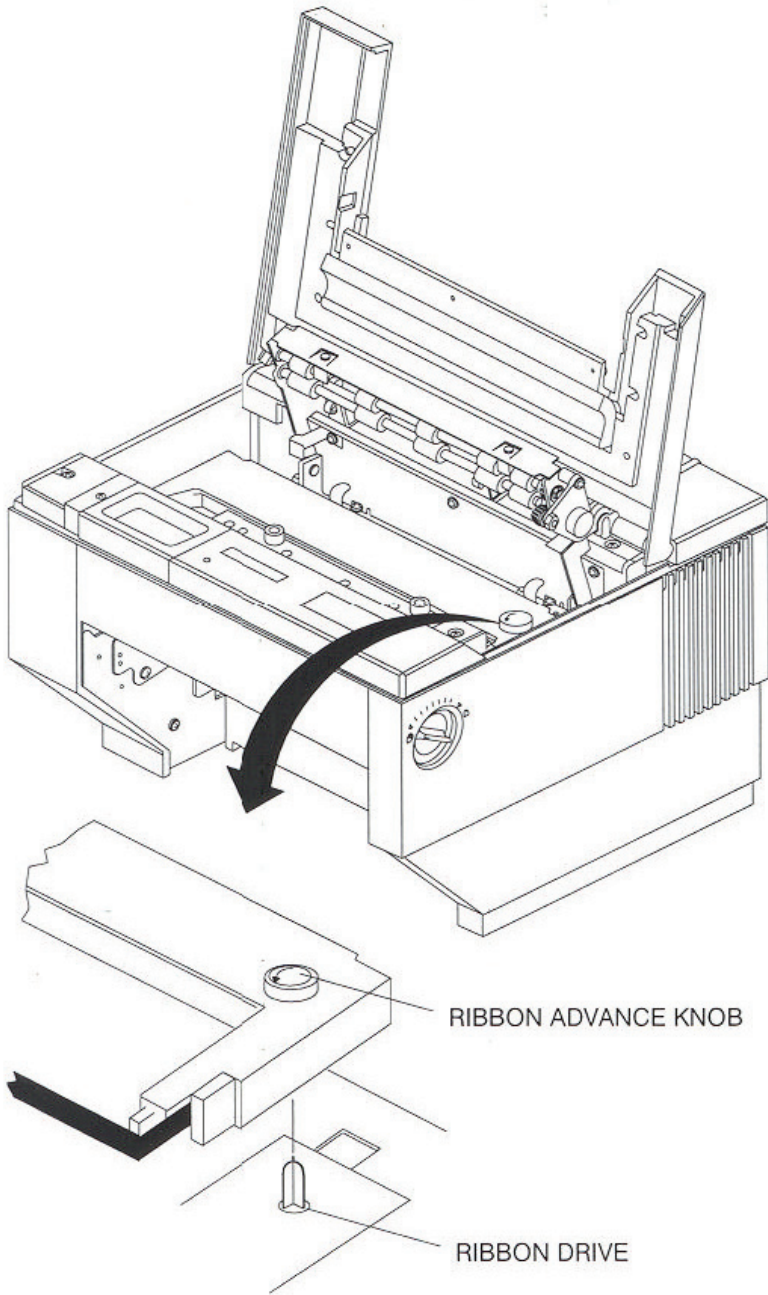


Figure 1-9: Install Ribbon Cartridge